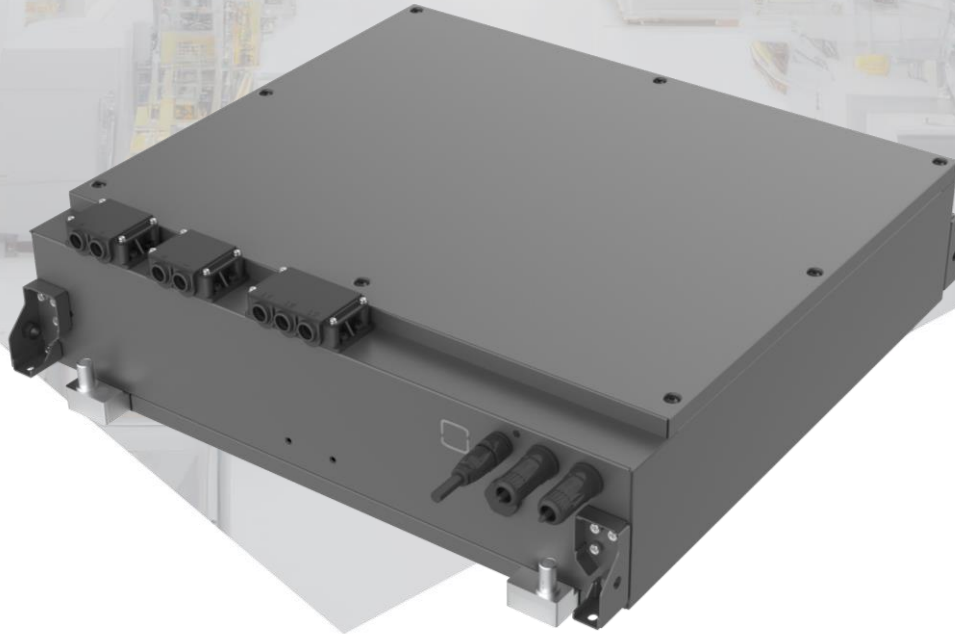




TAITEN Power Converter System 210kW



TAITEN Power Converter System 210kW HDP-PCS210-A



210kW String PCS : High-Efficiency Grid Formation and Ultimate Protection

【High-Efficiency Returns】 Industry-Leading Conversion Efficiency

- 99% Ultra-High Efficiency: Adopts advanced three-level technology, minimizing losses.
- Earns Millions More kWh Over 20 Years: 0.5%~1% efficiency improvement compared to traditional models, significantly optimizing long-term return on investment (ROI).

【Robust Performance】 Wide Voltage and All-Weather Operation

- 1500V Full-Load Operation: Perfectly compatible with 314Ah / 500Ah+ large cells, significantly reducing system line losses and cable costs.
- 45°C No Derating: Power output is not "discounted" in high-temperature environments, ensuring full-load peak shaving and valley filling during summer electricity peaks.

【Intelligent Grid Formation】 Actively Supports Grid Stability

- Built-in Stem-Cell Algorithm: Supports VSG (Virtual Synchronous Generator) and microsecond-level voltage support.
- Complies with Latest Grid Connection Regulations: Actively stabilizes frequency in weak grids and heavy industrial areas, effectively reducing the risk of tripping.

【Ultimate Protection】 Fearless in Harsh Environmental Challenges

- IP66 + C5 Top-Level Protection: Standard with highest-grade waterproof and dustproof, with optional C5 anti-corrosion.
- Preferred for Coastal Projects: Specifically designed for high-salt-mist environments in Taiwan and Japan, significantly extending equipment lifespan and reducing maintenance downtime.



Product Name	TAITEN Power Converter System 210kW
Product Model	HDP-PCS210-A
DC Side	
Max. DC Voltage	1500 V
Min. DC Voltage	1000 V
DC Voltage Range	1000 V ~ 1500 V
Max. DC Current	212.8 A
No. of DC Inputs	1
AC Side (On-Grid)	
AC Output Power	210 kVA @ 45°C / 231 kVA @ 30°C
Max. AC Output Current	176 A @ 45°C / 193.6 A @ 30°C
Nominal AC Voltage	690 V
AC Voltage Range	621 V - 759 V
Nominal Grid Frequency	50 Hz / 60 Hz
Grid Frequency Range	45-55 Hz / 55-65 Hz
Harmonic (THD)	< 3% (at nominal power)
Power Factor at Nominal Power	> 0.99
Adjustable Power Factor	1 leading ~ 1 lagging
Adjustable Reactive Power Range	-100% ~ 100%
Feed-in Phases / AC Connection	3 / 3
AC Side (Off-Grid)	
Nominal AC Voltage	690 V
AC Voltage Range	621 V ~ 759 V
AC Voltage Distortion	< 3% (Linear load)
DC Voltage Component	< 0.5% Un (Linear balance load)
Unbalance Load Capacity	100%
Nominal Voltage Frequency	50 Hz / 60 Hz
Voltage Frequency Range	48-52 Hz / 58-62 Hz
Efficiency	
Max. Efficiency	99%
Protection	
DC Reverse Connection Protection	Yes
AC Short Circuit Protection	Yes
Leakage Current Protection	Yes
Surge Protection	DC Type II / AC Type II
Grid Monitoring	Yes
Insulation Monitoring	Yes
Overheat Protection	Yes



Product Name	TAITEN Power Converter System 210kW
Product Model	HDP-PCS210-A
General Data	
Dimensions (W × H × D)	790 mm × 235 mm × 880 mm
Weight	85 kg ± 5 kg
Topology	Transformerless
Degree of Protection	IP66
Operating Temp. Range	-30°C ~ 60°C (> 45°C derating)
Relative Humidity Range	0% ~ 100% (non-condensing)
Cooling Method	Liquid cooling
Max. Operating Altitude	4000 m
Display	APP
Communication	Ethernet
Compliance	
Standards	CE, IEC 62477-1, IEC 61000-6-2, IEC 61000-6-4
Grid Support	
Functions	L/HVRT, VSG, FRT, Active & Reactive Power Control, Power Ramp Rate Control, Volt-var, Volt-watt, Frequency-watt



智慧綠能 隨手可得

Smarter Energy, Accessible Green.

+886-2-2832-8057

sales@hdrenewables.com

5F, No. 35, Dexing W. Rd., Shilin Dist., Taipei City 111046